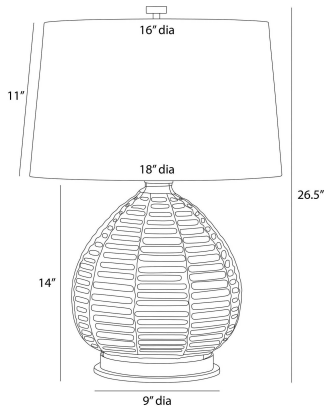


ARTERIOS

JULIETTE TABLE LAMP



PTI24-SH024
Flint Luster, Glass

A classic gourd shape of flint luster glass is updated with a ridged texture and glimmering luster finish designed to reflect the light. Accented with antique brass hardware. Matching decorative antique brass finial and ivory microfiber drum shade lined in off-white cotton. Finish will vary.

APPEARANCE

Materials	Glass, Steel, Microfiber, Cotton, Steel
Finishes	Flint Luster, Antique Brass, Ivory, Off-White, Antique Brass
Harp Finish	Brass
Finish Will Vary	Yes
Top Coat/Sealant	No

DIMENSIONS

Overall	Dia: 18.0 in x H: 26.5 in
Foot Print	Dia: 9.0 in
Base	Dia: 9.0 in x H: 1.5 in
Body	Dia: 14.0 in x H: 14 in
Finial	Dia: 1.5 in x H: 1 in
Shade Top	Dia: 16.0 in
Shade Side	H: 11 in
Shade Bottom	Dia: 18.0 in
Harp Size	H: 8 in
Neck	Dia: 0.5 in x H: 2 in

WIRING

Wire Rating	Indoor Only
Cord	10 FT, Clear/Silver, SPT-2
Socket	1, Type A - E26
Suggested Bulb Type	A19
Switch	At Socket, 3-Way Rotary
Maximum Wattage	150.0

CERTIFICATIONS & COMPLIANCY

Certifications	Middle East, European Union, United Kingdom, Mexico, United States, Canada
Compliance	RoHS, UL/ETL, CB

SHIPPING

Product Weight	9.3 lbs
Gross Weight 1	23.65 lbs
Gross Weight 2	5 lbs
Shipping Box 1	W: 22.0 in x D: 14.75 in x H: 29.0 in
Shipping Box 2	W: 19.3 in x D: 19.3 in x H: 34.7 in

CONTRACT

Contract Suitability	Contract Suitable As Is
Tilt Test Degrees	10 Degrees

REPLACEMENT PARTS

PTI24FIN

