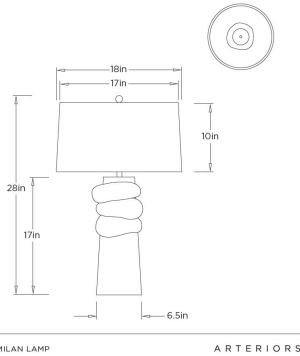


ARTERIOS

MILAN TABLE LAMP



PTI26-SH061
Antique Mercury Ombre, Glass

A stack of sculptural lucite bangles inspired the silhouette of our seeded glass table lamp. With an antique mercury ombre finish, the variation in colors and translucency draws the eye to its organic, asymmetric form. A neck of polished nickel-plated iron supports the off-white microfiber drum shade lined in matching cotton. Finish will vary.

APPEARANCE

Materials	Glass, Iron, Microfiber, Cotton
Finishes	Antique Mercury Ombre, Polished Nickel, Off-White, Off-White
Harp Finish	Polished Nickel
Finish Will Vary	Yes
Top Coat/Sealant	No

DIMENSIONS

Overall	Dia: 18.0 in x H: 28 in
Foot Print	Dia: 6.5 in
Body	Dia: 7.0 in x H: 17 in
Finial	Dia: 1 in x H: 2 in
Shade Top	Dia: 17.0 in
Shade Side	H: 10 in
Shade Bottom	Dia: 18.0 in
Harp Size	H: 8 in
Neck	Dia: 1.0 in x H: 1 in

WIRING

Wire Rating	Indoor Only
Cord	10 FT, Clear/Silver, SPT-2
Socket	1, Type A - E26
Suggested Bulb Type	A19
Switch	At Socket, 3-Way Rotary
Maximum Wattage	150.0
Voltage	110-120 V

CERTIFICATIONS & COMPLIANCY

Certifications	Middle East, European Union, United Kingdom, Mexico, United States, Canada
Compliance	RoHS, UL/ETL, CB

SHIPPING

Product Weight	7.0 lbs
Gross Weight 1	11.0 lbs
Gross Weight 2	5.0 lbs
Shipping Box 1	W: 12.5 in x D: 12.5 in x H: 24.0 in
Shipping Box 2	W: 11.0 in x D: 19.0 in x H: 19.0 in

CONTRACT

Contract Suitability	Contract Suitable As Is
Tilt Test Degrees	10 Degrees

REPLACEMENT PARTS

PTI26FIN