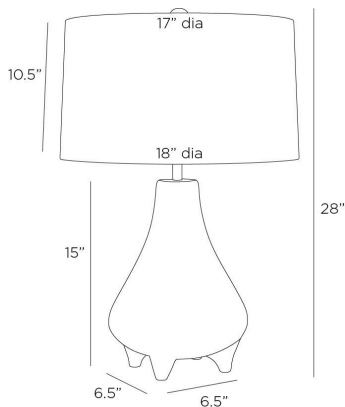


ARTERIOS

GRANADA LAMP



PTS17-851
Rhino, Terracotta

The quirky silhouette of our terracotta lamp gives the illusion of a fanciful animal. Oversized in scale and finished with a textural rhino glaze, it makes an impactful accessory for a living space or bedroom. Topped with an off-white microfiber drum shade in off-white cotton. Antique brass-plated steel hardware and matching finial. Finish will vary.

APPEARANCE

| | |
|------------------|--|
| Materials | Terracotta, Steel, Microfiber, Cotton |
| Finishes | Rhino, Antique Brass, Off-White, Off-White |
| Finish Will Vary | Yes |
| Top Coat/Sealant | Yes |

DIMENSIONS

| | |
|--------------|-------------------------|
| Overall | Dia: 18.0 in x H: 28 in |
| Foot Print | W: 6.5 in x D: 6.5 in |
| Body | Dia: 11.0 in x H: 15 in |
| Finial | Dia: 1.5 in x H: 1.5 in |
| Shade Top | Dia: 17.0 in |
| Shade Side | H: 10.5 in |
| Shade Bottom | Dia: 18.0 in |
| Harp Size | H: 9.5 in |
| Neck | Dia: 1.0 in x H: 2 in |

WIRING

| | |
|---------------------|----------------------------|
| Wire Rating | Indoor Only |
| Cord | 10 FT, Clear/Silver, SPT-2 |
| Socket | 1, Type A - E26 |
| Suggested Bulb Type | A19 |
| Switch | At Socket, 3-Way Rotary |
| Maximum Wattage | 60.0 |
| Voltage | 110-120 V |

CERTIFICATIONS & COMPLIANCY

| | |
|----------------|---|
| Certifications | Middle East, European Union, United Kingdom, Australia, Mexico, United States, Canada |
| Compliance | RoHS, UL/ETL, CB |

SHIPPING

| | |
|----------------|--|
| Product Weight | 25.0 lbs |
| Gross Weight 1 | 30.0 lbs |
| Gross Weight 2 | 5.0 lbs |
| Shipping Box 1 | W: 24.0 in x D: 13.75 in x H: 13.75 in |
| Shipping Box 2 | W: 20 in x D: 20 in x H: 12.5 in |

CONTRACT

| | |
|----------------------|-------------------------|
| Contract Suitability | Contract Suitable As Is |
| Tilt Test Degrees | 10 Degrees |

REPLACEMENT PARTS

PTS17FIN