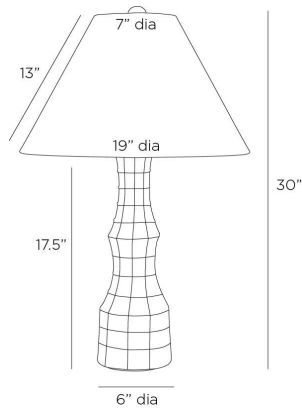


# ARTERIOS

## FRANCINE TABLE LAMP



PTS18-656  
Egg Shell, Terracotta

The textural embossing on our terracotta Francine may recall a bat's wing or spider's web. Evoking an ancient structure, this inspired accessory is glazed in sheer eggshell and finished with antique brass-plated steel hardware. The off-white linen drum shade is lined in white cotton and matches the ivory finial. Finish will vary.

### APPEARANCE

Materials	Terracotta, Steel, Linen, Cotton
Finishes	Egg Shell, Antique Brass, Off-White, White
Finish Will Vary	Yes
Top Coat/Sealant	Yes

### DIMENSIONS

Overall	Dia: 19.0 in x H: 30 in
Foot Print	Dia: 6.0 in
Body	Dia: 6.0 in x H: 17.5 in
Finial	Dia: 1.5 in x H: 1.5 in
Shade Top	Dia: 7.0 in
Shade Side	H: 13 in
Shade Bottom	Dia: 19.0 in
Harp Size	H: 9 in
Neck	Dia: 1.0 in x H: 2 in

### WIRING

Wire Rating	Indoor Only
Cord	10 FT, Clear/Silver, SPT-2
Socket	1, Type A - E26
Suggested Bulb Type	A19
Switch	At Socket, 3-Way Rotary
Maximum Wattage	60.0
Voltage	110-120 V

### CERTIFICATIONS & COMPLIANCY

Certifications	Middle East, European Union, United Kingdom, Australia, Mexico, United States, Canada
Compliance	RoHS, UL/ETL, CB

### SHIPPING

Product Weight	14.0 lbs
Gross Weight 1	20.0 lbs
Gross Weight 2	5.0 lbs
Shipping Box 1	W: 26.0 in x D: 9.0 in x H: 9.0 in
Shipping Box 2	W: 19 in x D: 19 in x H: 14 in

### CONTRACT

Contract Suitability	Contract Suitable As Is
Tilt Test Degrees	10 Degrees

### REPLACEMENT PARTS

PTS18FIN