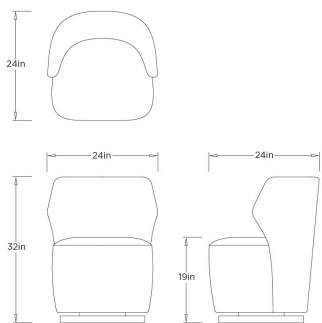


ARTERIOS

POPPY SWIVEL CHAIR



UDCPO POPPY SWIVEL CHAIR

ARTERIOS



UDCPO-PRG
Cider, Performance Velvet

Beautiful from every angle, this wing-armed swivel is scaled for smaller spaces, which makes it both versatile and visually impactful. The low, angular Poppy chair is fitted with plush cushioning that rests on a champagne iron plinth, creating a seat that's as elegant as it is comfortable.

APPEARANCE

Materials	Performance Velvet, Velvet, Iron
Finishes	Cider, Cider, Champagne
Finish Will Vary	No
Top Coat/Sealant	No

DIMENSIONS

Overall	W: 24 in x D: 24 in x H: 32 in
Foot Print	Dia: 18.5 in
Base	H: 1.5 in
Seat Back	W: 24 in x D: 4 in x H: 14 in
Seat	W: 22.5 in x D: 18 in x H: 19 in
Diagonal Dimensions	W: 40 in

SHIPPING

Shipping Requirements	Truck Ship
Product Weight	40.0 lbs
Gross Weight 1	84 lbs
Shipping Box 1	W: 24.0 in x D: 24.0 in x H: 32.0 in

ADDITIONAL INFO

Fabric Certification	TB117-2013
Fabric Composition	82% Polyester, 18% Cotton
Fabric Cleaning Code	S - dry clean only
Fabric Wear Abrasion	100,000
Fabric PFAS Free	Yes
Reupholstery Requirements	3.5 Yards Inside & Outside Seat Back: 2 Yards Seat: 1.5 Yards
Base/Foot Type	360 Swivel Mechanism

CONTRACT

Contract Suitability	Contract Suitable As Is
Contract Textile Suitability	High Traffic/Public Spaces