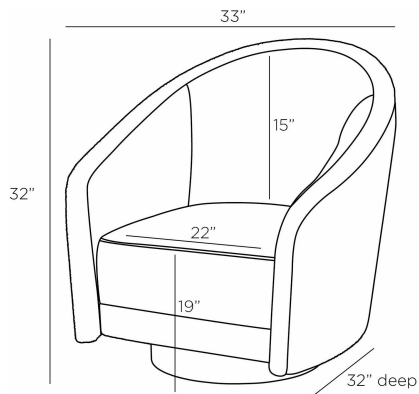


ARTERIOS

ALJONA SWIVEL CHAIR



ULOAJ-PRG
Cream, Sherpa

The fully upholstered barrel silhouette of the Aljona Swivel Chair offers a soft, enveloping seat, while thoughtful detailing adds dimension and visual interest. A concealed 360-degree swivel mechanism provides effortless movement, making it a versatile addition to a variety of spaces.

APPEARANCE

Materials	Sherpa, Leather, Iron
Finishes	Cream, Oyster, Champagne
Finish Will Vary	Yes
Top Coat/Sealant	No

DIMENSIONS

Overall	W: 33 in x D: 32 in x H: 32 in
Foot Print	Dia: 19.0 in
Base	H: 4.5 in
Seat Back	W: 19 in x D: 10.5 in x H: 15 in
Seat	W: 22 in x D: 20 in x H: 19 in
Diagonal Dimensions	W: 45.5 in

SHIPPING

Shipping Requirements	Special Handling Required
Product Weight	67.2 lbs
Gross Weight 1	92.2 lbs
Shipping Box 1	W: 32.0 in x D: 33.0 in x H: 32.0 in

ADDITIONAL INFO

Disclaimers	This piece is made with genuine leather. The variations in color are a natural characteristic of leather and may increase over time, adding to the individuality of your item. Please keep this away from prolonged intense sunlight, heat and humidity.
-------------	----------------------------------------------------------------------------------------------------------------------------------------------------------------------------------------------------------------------------------------------------------

Fabric Certification	TB117-2013
Fabric Composition	94% Polyester, 6% Acrylic
Fabric Cleaning Code	S - dry clean only
Fabric Wear Abrasion	15,000
Reupholstery Requirements	5 Yards 75 Square Feet
Base/Foot Type	360 Swivel Mechanism, Nylon Glides

CONTRACT

Contract Suitability	Contract Suitable As Is
Contract Textile Suitability	Low Traffic/Private Spaces