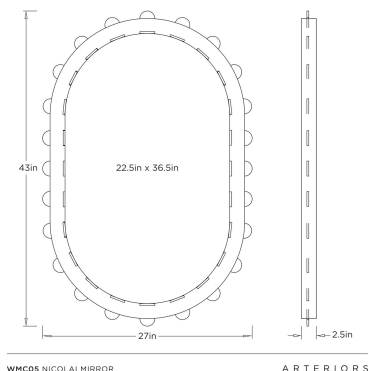


ARTERIOS

NICOLAI MIRROR



WMC05
Faux Travertine, Resin

A modern mix of materials elevates a simple oval mirror. Framed by cast resin in a travertine finish, the edges are punctuated with bronzed finished iron accents in a pattern mimicking delicate stitches. A bold addition to any powder room, this mirror can be displayed vertically or horizontally with a back cleat for hanging. Hanging hardware included. Finish will vary.

APPEARANCE

Materials	Resin, Iron, Mirror
Finishes	Faux Travertine, Bronze, Plain
Finish Will Vary	Yes
Top Coat/Sealant	No

DIMENSIONS

Overall	W: 27 in x D: 2.5 in x H: 43 in
Actual Mirror	W: 22.5 in x H: 36.5 in

SHIPPING

Shipping Requirements	Truck Ship
Product Weight	47.3 lbs
Gross Weight 1	55.0 lbs
Shipping Box 1	W: 6.38 in x D: 33.5 in x H: 48.0 in

ADDITIONAL INFO

Features	T-Screw Hardware Included, Mirror Safety Backing
Hanger Position	Vertical & Horizontal

CONTRACT

Contract Suitability	Contract Suitable As Is
----------------------	-------------------------