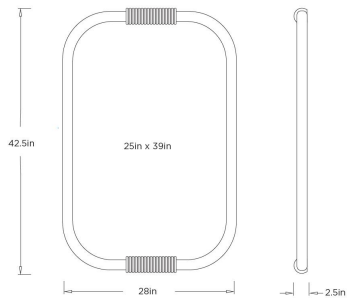


ARTERIOS

SIRIUS MIRROR



WM1107 SIRIUS MIRROR

ARTERIOS



WM1107
Blackened Iron, Iron

The Sirius Mirror features a sleek, architectural silhouette in blackened iron, accented with marble cuffs on two sides of the frame. The interplay of materials emphasizes its geometric form, creating a strikingly modern statement that anchors any wall with contemporary precision.

APPEARANCE

Materials	Iron, Marble
Finishes	Blackened Iron, Cloudveil
Finish Will Vary	Yes
Top Coat/Sealant	No

DIMENSIONS

Overall	W: 28 in x D: 2.5 in x H: 42.5 in
Actual Mirror	W: 25 in x H: 39 in
Hanger Size	W: 18 in

SHIPPING

Shipping Requirements	Truck Ship
Product Weight	46.628 lbs
Gross Weight 1	61.729 lbs
Shipping Box 1	W: 6 in x D: 46.5 in x H: 46.5 in

ADDITIONAL INFO

Hanger Position	Vertical & Horizontal
Hanger Size	W: 18 in

CONTRACT

Contract Suitability	Contract Suitable As Is
----------------------	-------------------------