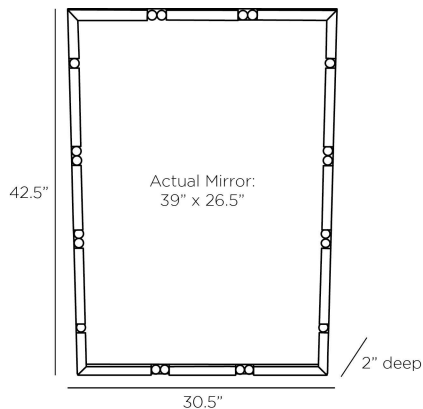


ARTERIO RS

BRINKLEY MIRROR



WMI26
Ebony, Mango Wood

A rectangular frame of ebony finished mango wood is punctuated with marble balls in contrasting hues. These black and white details float about the perimeter, adding a geometric playfulness to the simple form. This versatile accent can be hung both vertically and horizontally. Fitted with security cleat hardware. Finish will vary.

APPEARANCE

Materials	Mango Wood, Marble, Marble, Mirror
Finishes	Ebony, White, Black, Plain
Finish Will Vary	Yes
Top Coat/Sealant	Yes

DIMENSIONS

Overall	W: 30.5 in x D: 2 in x H: 42.5 in
Actual Mirror	W: 26.5 in x H: 39 in

SHIPPING

Shipping Requirements	Truck Ship
Product Weight	43.3 lbs
Gross Weight 1	53.0 lbs
Shipping Box 1	W: 8.0 in x D: 47.0 in x H: 40.0 in

ADDITIONAL INFO

Features	T-Screw Hardware Included
Hanger Position	Vertical & Horizontal

CONTRACT

Contract Suitability	Contract Suitable As Is
----------------------	-------------------------