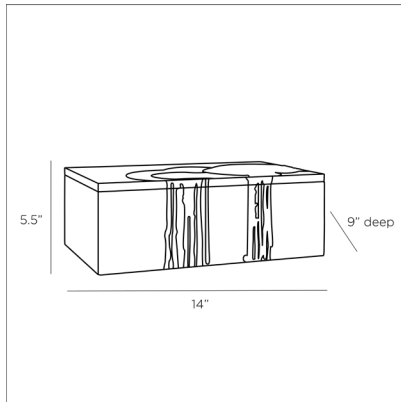


# ARTERIOS

## LEONARDO BOX



2035  
H: 5.5 IN, W: 14 IN, D: 9 IN  
Umber  
Contract Suitable As Is

Storage becomes an exquisite display item. This handsome wooden box is finished in luxurious umber with an antique brass drip design, adding to its opulent look. Lined in black suede, this container makes space for any small necessities in a contemporary environment. Drip pattern will vary.

### APPEARANCE

Material	Gesso Paint, Suede, Wood
Material Type	Mango
Finish	Antique Brass, Black, Umber
Finish Will Vary	true
Top Coat/Sealant	true

### DIMENSIONS

Foot Print	7.5 W: 14 IN, D: 9 IN
------------	--------------------------

### SHIPPING

Product Weight	4.6 LBS
Gross Weight 1	6.6 LBS
Shipping Box 1	H: 16.54 IN, L: 11.42 IN, W: 7.87 IN

### CONTRACT

Contract Suitable	true
-------------------	------