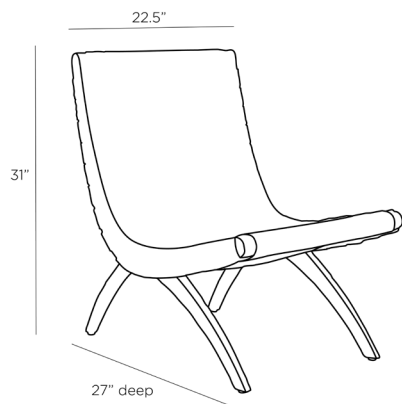


ARTERIOS

LLOYD CHAIR



2048
H: 31 IN, W: 22.5 IN, D: 27 IN
Black Leather
Contract Suitable As Is

Inspired by the Bauhaus movement, the Lloyd Chair is a contrast in rich material and modern design, serving clean lines and a graceful form. The sling-shaped frame is wrapped in rich woven black leather strapping for the seat and back, on a curved walnut frame and wooden legs. Finish will vary.

APPEARANCE

Material	Leather, Wood
Finish	Black, Walnut
Finish Will Vary	true
Top Coat/Sealant	true
Textile Contract Suitability	High Traffic/Public Spaces

DIMENSIONS

Seat Height	16 IN
Clearance	9"
Diagonal Dimension	40 IN
Seat Cushion Thickness	2.5 IN

SHIPPING

Product Weight	23 LBS
Gross Weight 1	33.3 LBS
Shipping Box 1	H: 31.5 IN, L: 26 IN, W: 26 IN

ADDITIONAL INFO

Fabric Compliancy	NFPA-260, TB117-2013
Fabric Rub Count	N/A
Fabric Cleaning Code	Leather Cleaner
Fabric Content	100% Leather

CONTRACT

Contract Suitable	true
Fabric Composition	100% Leather