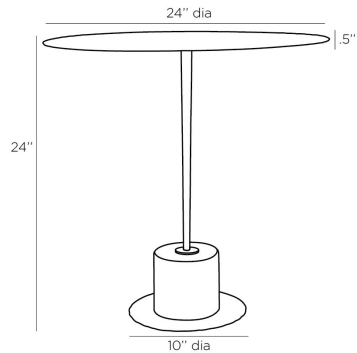


ARTERIOS

LAUREN SIDE TABLE



2110

H: 24 IN, Dia: 24.00 IN

Natural Iron

Contract Recommendations: Adding a lacquer coating provides additional protection.

Mixed materials meet to create the minimalist silhouette of the Lauren Side Table. A top surface and pedestal base crafted of natural iron are hand-hammered, creating a wave-like, irregular edge. Offset with a honed white marble base to deliver visual balance. Marble and hammering in iron will vary.

APPEARANCE

Material	Iron, Marble
Material Type	Hammered
Finish	Natural, White
Finish Will Vary	true
Top Coat/Sealant	true

DIMENSIONS

Foot Print	Dia: 10.00 IN
Table Top	H: 0.5 IN

SHIPPING

Product Weight	36.5 LBS
Gross Weight 1	51.92 LBS
Shipping Box 1	H: 27 IN, L: 13 IN, W: 26 IN

CONTRACT

Contract Suitable	Adding a lacquer coating provides additional protection
-------------------	---