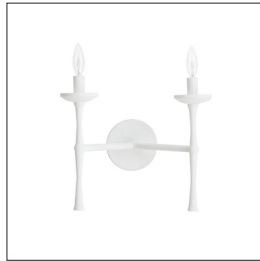
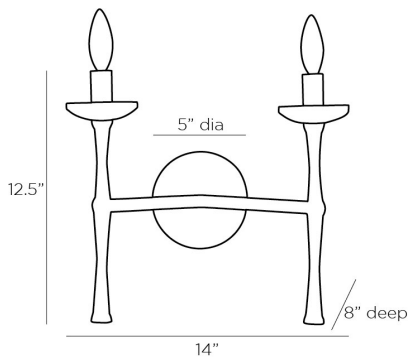


# ARTERIOS

## JULIE SCONCE



42043  
H: 12.5 IN, W: 14 IN, D: 8 IN  
White Gesso  
Contract Suitable As Is

Inspired by the properties of Formalist sculpture, the design of this sconce is sleek, slender, and straightforward. This double-socket fixture is crafted from iron and features a white gesso finish. With no shades, the exposed-bulb design delivers an industrial feel to a space and allows the light to do its job — illuminate. Finish will vary. Damp-rated, although limited outdoor areas may affect finish.

### APPEARANCE

Material	Iron
Finish	White Gesso
Finish Will Vary	true
Top Coat/Sealant	true

### DIMENSIONS

Center Of Mount From Btm	6 IN
Backplate	Dia: 5.00 IN, D: 1 IN
Mount	Dia: 4.50 IN

### WIRING

Rating	UL,EU,SA
Certification Note	Damp
Cord	1 FT, Black/White, SVT
Socket	2, Type B - E12
Photographed Bulb	Clear Straight Tip Candelabra Bulb
Maximum Watt	60
Voltage	110-120 V

### CERTIFICATIONS

Certifications	Mexico United States, Canada
----------------	---------------------------------

### COMPLIANCY

UL/ETL	Yes
RoHS	true

### SHIPPING

Product Weight	3 LBS
Gross Weight 1	6.82 LBS
Shipping Box 1	H: 17.32 IN, L: 15.75 IN, W: 10.25 IN

### ADDITIONAL INFO

Hanging Orientation	Horizontal and Vertical
---------------------	-------------------------

### CONTRACT

Contract Suitable	true
-------------------	------