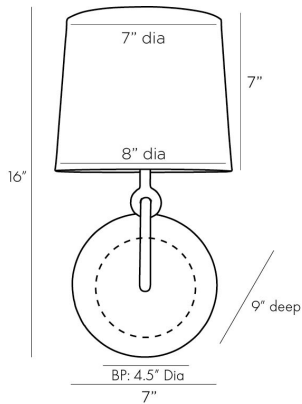


ARTERIOS

GILES SCONCE



44749-554

H: 16 IN, W: 7.5 IN, D: 9 IN

Hammered Antique Brass, Blackened Iron
Contract Suitable As Is

Profiling a glamorous silhouette that possesses sculptural and textural elements, the Giles creates interest and intrigue. A hand-hammered antique brass dish sets a modern foundation for this functional art piece, while a tall white linen shade keeps it classic. A solid bronze iron arm showcases a forged knot detail that ties these mixed materials and design elements together. The curvature of the backplate works to contour the light and create a warm glow. Pair with another for a double dose of glam. Finish will vary.

APPEARANCE

Material	Brass, Iron, Linen
Material Type	Hammered
Finish	Antique Brass, Bronze, White
Finish Will Vary	true
Top Coat/Sealant	false

DIMENSIONS

Shade	Top: 7.00 IN, Dia: 8.00 IN, Side: 8 IN
Arm	H: 5.5 IN, W: 0.5 IN, D: 4 IN
Backplate	H: 1 IN, Dia: 4.50 IN

WIRING

Rating	Indoor Only
Cord	1 FT, Clear/Silver, SVT
Socket	1, Type B - E12
Maximum Watt	60
Voltage	110-120 V

CERTIFICATIONS

Certifications	Mexico Australia, European Union, United Arab Emirates, United States, Canada
----------------	--

COMPLIANCY

UL/ETL	Yes
CB	Yes
RoHS	true

SHIPPING

Product Weight	2.21 LBS
Gross Weight 1	3.53 LBS
Gross Weight 2	2 LBS
Shipping Box 1	H: 14 IN, L: 9.5 IN, W: 10 IN
Shipping Box 2	H: 11 IN, L: 10 IN, W: 10 IN

ADDITIONAL INFO

Hanging Orientation	Vertical Only
---------------------	---------------

CONTRACT

Contract Suitable	true
-------------------	------