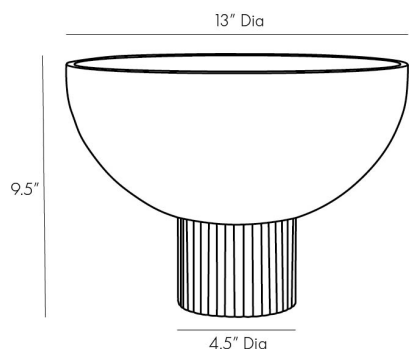


ARTERIOS

GALANTIS CENTERPIECE



4867

H: 9.5 IN, Dia: 13.00 IN

Clear

Contract Suitable As Is

The complementary textures of a deep, clear hammered glass bowl and a ribbed antique brass base brilliantly balance each other to create a centerpiece that is both timeless and contemporary. This large-scale form offers innate sophistication. Water tight. Finish will vary.

APPEARANCE

Material	Brass, Glass
Material Type	Hammered
Finish	Antique Brass, Clear
Finish Will Vary	true
Top Coat/Sealant	false

DIMENSIONS

Foot Print	Dia: 4.50 IN
------------	--------------

SHIPPING

Product Weight	6.4 LBS
Gross Weight 1	11 LBS
Shipping Box 1	H: 16 IN, L: 16 IN, W: 11 IN

ADDITIONAL INFO

Features	Food Safe,Water Tight
----------	-----------------------

CONTRACT

Contract Suitable	true
-------------------	------