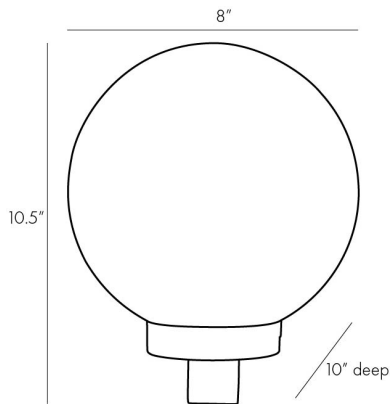


# ARTERIOS

## GILON SCONCE



49733

H: 10.5 IN, W: 8 IN, D: 10 IN

Antique Brass, Opal Glass

Contract Suitable As Is

Presenting a curvaceous silhouette, this sleek sconce delves into the design elements of mid-century style. An oversized opal glass shade is elegantly exhibited from antique brass steel, which features chattered detailing for a touch of texture. This piece can be hung with the shade facing upwards or downwards, allowing one to choose which direction best suits the space. Hang in multiples for a more dynamic visual. Damp

### APPEARANCE

Material	Glass, Steel
Finish	Antique Brass, Opal
Top Coat/Sealant	false

### DIMENSIONS

Center Of Mount From Btm	6.5 IN
Globe	Dia: 8.00 IN
Backplate	H: 5.5 IN, W: 4.5 IN, D: 1 IN

### WIRING

Rating	Damp
Cord	1 FT, Black/White, SVT
Socket	1, Type A - E26
Maximum Watt	60
Voltage	110-120 V

### CERTIFICATIONS

Certifications	Mexico Australia, EU, United Kingdom, Middle East, United States, Canada
----------------	---

### COMPLIANCY

UL/ETL	Yes
CB	Yes
RoHS	true

### SHIPPING

Product Weight	3.24 LBS
Gross Weight 1	5.16 LBS
Shipping Box 1	H: 12.5 IN, L: 11.5 IN, W: 17.5 IN

### CONTRACT

Contract Suitable	true
-------------------	------