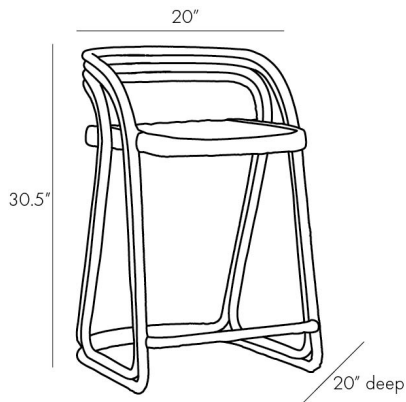


ARTERIOS

HARRINGTON COUNTER STOOL



5632

H: 30.5 IN, W: 20 IN, D: 20 IN

Moth Gray, Stained Rattan

Contract Recommendations: Not for use
in high traffic/public spaces

Organic materials and handcrafted construction rise to the occasion to complete the natural presentation of this counter stool. Crafted entirely of rattan, the Harrington features a hand-woven seat styled in the traditional cane pattern and a frame wrapped in rattan peel. A moth gray finish refines its rustic aesthetic and enhances its natural characteristics. With no arms and a slightly curved back, this stool easily slides under any counter. Finish will vary.

APPEARANCE

Material	Rattan
Finish	Moth Gray
Finish Will Vary	true
Top Coat/Sealant	true

DIMENSIONS

	16
Foot Print	W: 20 IN, D: 20 IN
Clearance	5 IN
Seat Height	24 IN

SHIPPING

Product Weight	22.1 LBS
Gross Weight 1	27.56 LBS
Gross Weight 2	0 LBS
Shipping Box 1	H: 34.5 IN, L: 22.5 IN, W: 24 IN
Shipping Box 2	H: 0 IN, L: 0 IN, W: 0 IN

CONTRACT

Contract Suitable	Not for use in high traffic/public spaces
-------------------	---