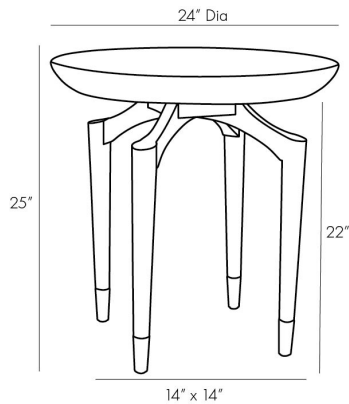


ARTERIOS

WAGNER END TABLE



5652
H: 25 IN, Dia: 24.00 IN
Umber
Contract Suitable As Is

Refined and rustic elements are showcased through the mixture of materials that compose this side table. A solid oak frame in an umber finish is accented with a simple antique brass inlay that delivers a refined element to its rustic form. Sharply angled legs lend a dramatic juxtaposition to the slender, circular top. This well-formed piece delivers a polished aesthetic to a space.

APPEARANCE

Material	Brass, Oak Veneer
Material Type	
Finish	Antique Brass, Ebony, Umber
Top Coat/Sealant	true

DIMENSIONS

Foot Print	2 IN W: 14 IN, D: 14 IN
------------	----------------------------

SHIPPING

Product Weight	35.27 LBS
Gross Weight 1	44.1 LBS
Gross Weight 2	0 LBS
Shipping Box 1	H: 24.5 IN, L: 24 IN, W: 24 IN
Shipping Box 2	H: 0 IN, L: 0 IN, W: 0 IN

ADDITIONAL INFO

Swatch Number	UM2X2
---------------	-------

CONTRACT

Contract Suitable	true
-------------------	------