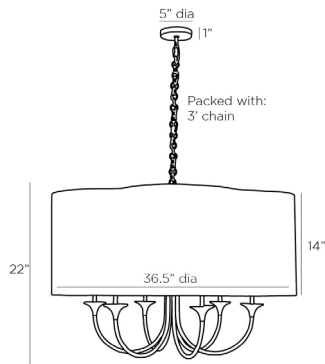


# ARTERIOS

## LACONIA CHANDELIER



89070  
H: 24 IN, Dia: 36.50 IN  
Natural Rattan  
Contract Suitable As Is

The Laconia showcases a silhouette straight out of the Arteriors archives with a modern update, adding a natural rattan peel wrapping over the antique brass iron frame. An oversized off-white linen shade with an off-white cotton lining softens the six-light setup, adding a refined element to its naturally-derived construction. Finish will vary. Additional chain available (CHN-251). Damp-rated, although limited covered outdoor areas may affect finish.

### APPEARANCE

	Antique Brass
Material	Cotton, Iron, Linen, Rattan
Finish	Antique Brass, Natural, Off-White
Finish Will Vary	true
Top Coat/Sealant	false

### DIMENSIONS

Chandelier	H: 22 IN, Dia: 36.50 IN
Minimum Hanging Height	24 IN
Maximum Hanging Height	60 IN
Canopy	H: 1 IN, Dia: 5.00 IN

### WIRING

	UL,EU,SA
Rating	Damp
Cord	10 FT, Clear/Silver, SVT
Socket	6, Type A - E26
Maximum Watt	60
Voltage	110-120 V

### CERTIFICATIONS

	Mexico
Certifications	Australia, European Union, United Arab Emirates, United States, Canada

### COMPLIANCY

UL/ETL	Yes
CB	Yes
RoHS	true

### SHIPPING

Product Weight	15 LBS
Gross Weight 1	19 LBS
Gross Weight 2	2 LBS
Shipping Box 1	H: 27.7 IN, L: 24.75 IN, W: 24.75 IN
Shipping Box 2	H: 38.2 IN, L: 28.2 IN, W: 15.75 IN

### REPLACEMENT PARTS

Replacement Part 1	CHN-251
Replacement Part 1 Dim	3'
Replacement Part 2	CANOPY-535
Replacement Part 2 Dim	1" x 5"

### CONTRACT

Contract Suitable	true
-------------------	------