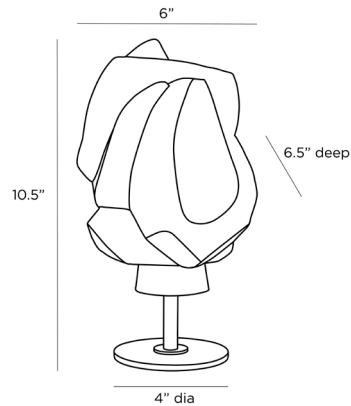


ARTERIOS

JAFAR SCULPTURE



9103
H: 10.5 IN, W: 6 IN, D: 6.5 IN
Ivory
Contract Suitable As Is

Inspired by Cubist sculptures of the human form, this elegant work lends an artistic element when mixed with other decor. Made from ivory ricestone, it is known for rich textures, unique with each piece. The sculpture stands on a steel base in an antiqued brass finish. Ricestone will vary.

APPEARANCE

Material	Ricestone, Steel
Material Type	Composite
Finish	Antique Brass, Ivory
Finish Will Vary	true
Top Coat/Sealant	false

DIMENSIONS

Foot Print	Dia: 4.00 IN
------------	--------------

SHIPPING

Product Weight	9 LBS
Gross Weight 1	10.14 LBS
Shipping Box 1	H: 9.5 IN, L: 9.5 IN, W: 11.75 IN

CONTRACT

Contract Suitable	true
-------------------	------