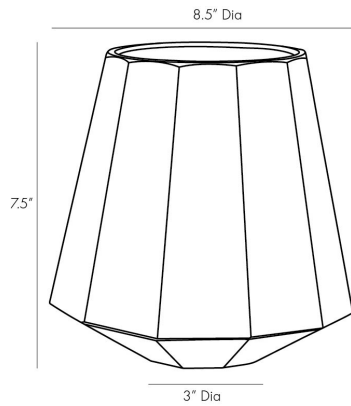


# ARTERIOS

## HARLAN VASE



9246  
H: 7.5 IN, Dia: 8.50 IN  
Champagne  
Contract Suitable As Is

Champagne crystal and defined angles create a beautifully prismatic effect in the stunning Harlan Vase. This larger scale vase takes inspiration from our iconic Gemma Vase, with precise shaping and a champagne toned coloration. Water tight for displaying a bouquet of fresh flowers or add a pillar candle to allow light to refract through the crystal facets.

### APPEARANCE

Material	Crystal
Finish	Champagne
Top Coat/Sealant	true

### DIMENSIONS

Foot Print	Dia: 3.00 IN
------------	--------------

### SHIPPING

Product Weight	13.67 LBS
Gross Weight 1	14.77 LBS
Shipping Box 1	H: 11.5 IN, L: 11.5 IN, W: 11.5 IN

### CONTRACT

Contract Suitable	true
-------------------	------