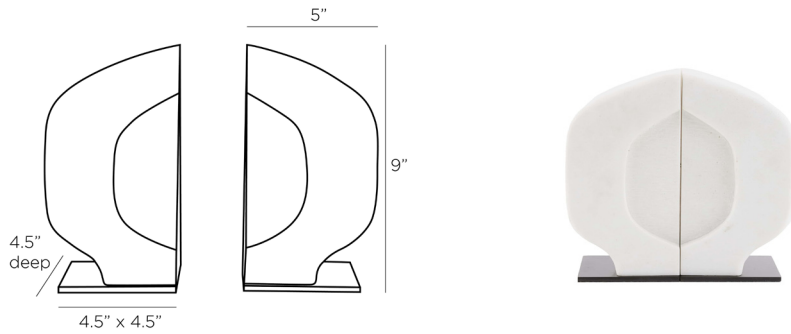


ARTERIOS

SAFFRON BOOKENDS, SET OF 2



9309

H: 9 IN, W: 5 IN, D: 4.5 IN

Ivory

Contract Suitable As Is

These organic, ivory riverstone composite bookends, which stand on horizontal bases made of bronze steel, were inspired by a carved plaster sculpture. Highlight favorite books or display the conceptual pair as art objects. Riverstone will vary.

APPEARANCE

Material	Riverstone, Steel
Material Type	Composite
Finish	Bronze, Ivory
Finish Will Vary	true
Top Coat/Sealant	false

DIMENSIONS

Foot Print	W: 4.5 IN, D: 4.5 IN
------------	----------------------

SHIPPING

Product Weight	22 LBS
Gross Weight 1	30 LBS
Shipping Box 1	H: 13.38 IN, L: 8.63 IN, W: 16.13 IN

CONTRACT

Contract Suitable	true
-------------------	------