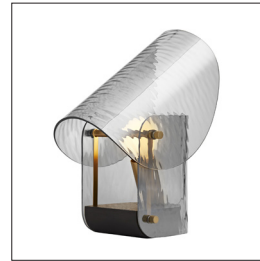
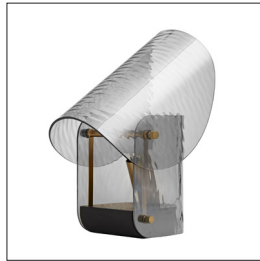
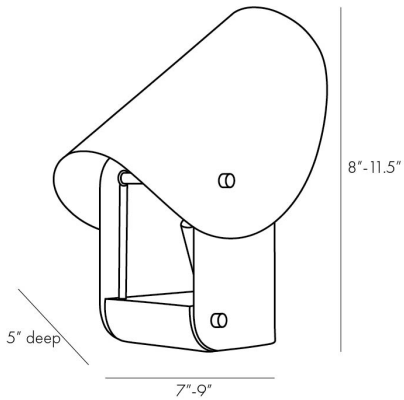


ARTERIOS

BEND ACCENT LAMP

WORKSHOP



DA49009
 D: 5 IN
 Blackened Steel, Smoke Luster Glass
 Contract Suitable As Is

Composed of two curved, textured smoke glass forms layered to create a unique visual effect, the Bend Accent lamp makes a big statement despite its petite size. The lamp's shade can be adjusted to tilt in either direction, directing its delicately patterned light wherever the user chooses. A must-have for side tables and desks in silvery grey Smoke glass and antique brass.

APPEARANCE

Material Glass, Steel, Wood
 Finish Antique Brass, Ebony, Smoke
 Top Coat/Sealant false

WIRING

Rating Indoor Only
 Tilt Test 10 Degrees - AU
 Cord 8 FT, Back of Lamp Base, Black Cloth, SPT-2
 Socket 1, Black, Type B - E12
 Switch On Line, On/Off Rocker
 Photographed Bulb Frosted Globe Bulb
 Maximum Watt 60
 Voltage 110-120 V

CERTIFICATIONS

Certifications Mexico
 Australia, United Arab Emirates,
 United Kingdom, United States,
 Canada

COMPLIANCY

UL/ETL Yes
 CB Yes
 RoHS true

SHIPPING

Product Weight 4.8 LBS
 Gross Weight 1 6.4 LBS
 Gross Weight 2 0 LBS
 Shipping Box 1 H: 8 IN, L: 8 IN, W: 27 IN
 Shipping Box 2 H: 0 IN, L: 0 IN, W: 0 IN

CONTRACT

Contract Suitable true