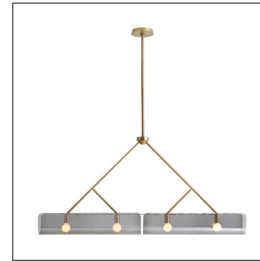
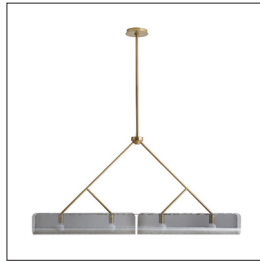
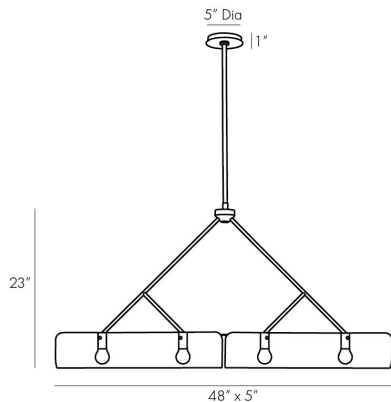


# ARTERIOS

## BEND LINEAR CHANDELIER

### WORKSHOP



DA49021  
H: 31 IN, W: 48 IN, D: 5 IN  
Antique Brass, Smoke Luster Glass  
Contract Suitable As Is

The Bend Linear Chandelier is a study in contrasts, pairing a geometric, triangular armature with curved, rippled glass shades. Two half cylinders of textured smoke glass containing four lights are delicately suspended from the antique brass armature in linear formation. Available in silvery grey Smoke or warm Amber glass and blackened steel or antiques brass metal, the Bend Linear chandelier makes a sleek statement on its own

#### APPEARANCE

Material	Glass, Steel
Finish	Antique Brass, Smoke
Top Coat/Sealant	false

#### DIMENSIONS

Chandelier	H: 23 IN, W: 48 IN, D: 5 IN
Minimum Hanging Height	31 IN
Maximum Hanging Height	61 IN
Canopy	H: 1 IN, Dia: 5.00 IN

#### WIRING

Rating	Damp
Cord	10 FT, Clear/Silver, SVT
Socket	4, Type B - E12
Photographed Bulb	Frosted Globe Bulb
Maximum Watt	60
Voltage	110-120 V

#### CERTIFICATIONS

Certifications	Mexico Australia, EU, United Kingdom, Middle East, United States, Canada
----------------	---

#### COMPLIANCY

UL/ETL	Yes
CB	Yes
RoHS	true

#### SHIPPING

Product Weight	12.8 LBS
Gross Weight 1	10 LBS
Gross Weight 2	9.85 LBS
Shipping Box 1	H: 26.5 IN, L: 8.5 IN, W: 13.5 IN
Shipping Box 2	H: 40 IN, L: 7.5 IN, W: 24 IN

#### REPLACEMENT PARTS

Replacement Part 1	PIPE-241
Replacement Part 1 Dim	Ext Pipe (1) 6", (1) 12"
Replacement Part 2	CANOPY-515
Replacement Part 2 Dim	1" x 5.5"

#### CONTRACT

Contract Suitable	true
-------------------	------