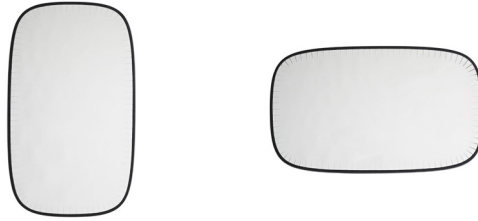
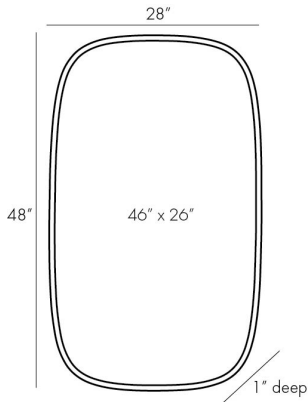


# ARTERIO S

## CUT OBLONG MIRROR

WORKSHOP



DA9002  
H: 48 IN, W: 28 IN, D: 1 IN  
Black  
Contract Suitable As Is

The Cut Oblong Mirror offers a modern twist on traditional technique, pairing streamlined forms with detailing that brings to mind timeless cut crystal. The generously-proportioned oblong wall mirror, featuring an etched gradient slice pattern radiating in from its edge, is set within a sleek black-painted wood frame. Security cleat hanging hardware allows for horizontal or vertical display.

### APPEARANCE

Material	Ash Wood, Mirror
Material Type	Etched
Finish	Black, Plain
Top Coat/Sealant	true

### DIMENSIONS

Mirror Size	H: 46 IN, W: 26 IN
-------------	--------------------

### SHIPPING

Shipping Requirements	TruckShip
Product Weight	46.3 LBS
Gross Weight 1	53 LBS
Gross Weight 2	0 LBS
Shipping Box 1	H: 53 IN, L: 34 IN, W: 3.5 IN
Shipping Box 2	H: 0 IN, L: 0 IN, W: 0 IN

### ADDITIONAL INFO

Features	T-Screw Hardware Included
Hanger Position	Vertical & Horizontal
Hanger Type	Security Cleat

### CONTRACT

Contract Suitable	true
-------------------	------