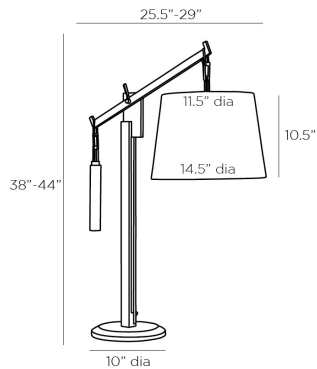


# ARTERIOS

## COUNTERWEIGHT LAMP

RAY BOOTH



DB49019-900  
 D: 11 IN  
 Aged Bronze, Brown Wood  
 Contract Suitable As Is

This tabletop version of the Counterweight floor lamp provides the flexibility and movement for a side table, desk or console. The Counterweight Lamp pivots from a strong rectangular aged bronze steel body that is on top of a walnut wood base. Paired with a white linen shade.

### APPEARANCE

Material Cotton, Linen, Steel, Walnut Wood  
 Finish Aged Bronze, Brown, White  
 Top Coat/Sealant true

### DIMENSIONS

Shade Top: 11.50 IN, Dia: 14.50 IN, Side: 10.5 IN  
 Base H: 1 IN, Dia: 10.00 IN  
 Foot Print Dia: 10.00 IN

### WIRING

Rating Indoor Only  
 Tilt Test 10 Degrees - AU  
 Cord 10 FT, Back of Lamp Base, Black Cloth, SPT-2  
 Socket 1, Black, Type A - E26  
 Switch On Line, On/Off Rocker  
 Maximum Watt 150  
 Voltage 110-120 V

### CERTIFICATIONS

Certifications Mexico  
 Australia, European Union, United Arab Emirates, United States, Canada

### COMPLIANCY

UL/ETL Yes  
 CB Yes  
 RoHS true

### SHIPPING

Product Weight 17 LBS  
 Gross Weight 1 18 LBS  
 Gross Weight 2 1 LBS  
 Shipping Box 1 H: 14.46 IN, L: 12 IN, W: 35 IN  
 Shipping Box 2 H: 12.5 IN, L: 16.5 IN, W: 16.5 IN

### ADDITIONAL INFO

Shade Shape Round  
 Shade Trim Rolled Edges  
 Shade Type Hardback

### CONTRACT

Contract Suitable true