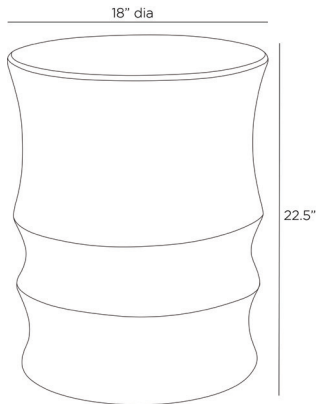


CANYON OUTDOOR ACCENT TABLE



FAS10
H: 22.5 IN, Dia: 18.00 IN
Ivory
Contract Suitable As Is

A modern twist on the curvaceous shape of a classical vessel, this outdoor accent piece possesses a playful wave motif. Molded of durable ivory concrete composite.

APPEARANCE

Material Concrete Composite
Top Coat/Sealant false

DIMENSIONS

Foot Print Dia: 18.00 IN

SHIPPING

Product Weight 33 LBS
Gross Weight 1 39.02 LBS
Shipping Box 1 H: 25.2 IN, L: 20.5 IN, W: 20.5 IN

ADDITIONAL INFO

Leg Or Foot Application Adjustable Glides
Swatch Number ICCSW

CONTRACT

Contract Suitable true