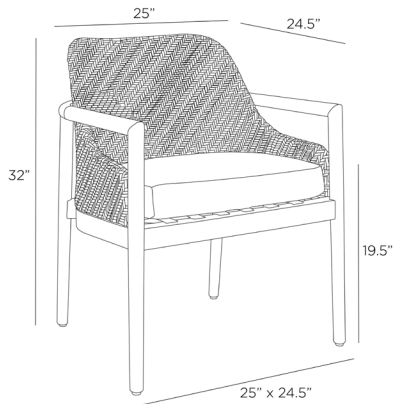


CHILTON OUTDOOR DINING CHAIR



FRS14
H: 32 IN, W: 25 IN, D: 24.5 IN
Pearl Outdoor Performance Bouclé
Contract Suitable As Is

The Chilton updates the sleek lines and open arms of a mid-century icon. An organic spin on the era's design, the sculptural back of dark blonde synthetic rattan is cradled by a solid natural teak wood frame. A supportive cushion of our Pearl Outdoor Performance Bouclé was designed to withstand the elements. Finish will vary.

APPEARANCE

Material	Bouclé, Rattan, Wood
Material Type	Grade A Teak, Outdoor Performance, Synthetic
Finish	Dark Blonde, Natural Teak
Finish Will Vary	true
Top Coat/Sealant	false
Textile Contract Suitability	High Traffic/Public Spaces

DIMENSIONS

Arm	H: 25 IN, W: 1.5 IN, D: 15 IN
Foot Print	W: 25 IN, D: 24.5 IN
Seat Back	H: 14.5 IN, W: 21, D: 1
Seat	W: 21 IN, D: 18 IN
Seat Height	19.5 IN
Seat	W: 21 IN, D: 18 IN
Seat Cushion Thickness	3 IN

SHIPPING

Product Weight	22.1 LBS
Gross Weight 1	25 LBS
Gross Weight 2	7 LBS
Shipping Box 1	H: 36.61 IN, L: 27.56 IN, W: 27.56 IN
Shipping Box 2	H: 8 IN, L: 25 IN, W: 25 IN

ADDITIONAL INFO

Leg Or Foot Application	Non-Adjustable Nylon Glides
Fabric Compliancy	TB117-2013
Fabric Rub Count	100,000
Swatch Number	X75SW, DBSRWSW, DBSRBSW
Fabric Cleaning Code	P - clean with detergent & water
Fabric Content	100% Solution-Dyed Acrylic
Seating Type	Acrylic, Dacron Wrapped Foam
Yardage To Reupholster	1.5 Yards

CONTRACT

Contract Suitable	true
Fabric Composition	100% Solution Dyed Acrylic