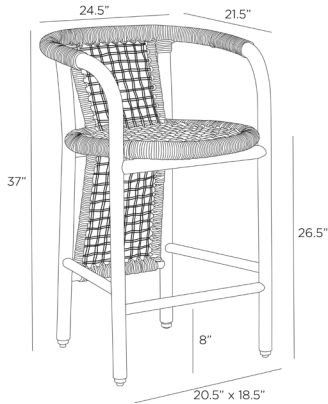


CHAPMAN OUTDOOR COUNTER STOOL



FSS03
H: 37 IN, W: 24.5 IN, D: 21.5 IN
Willow Plain Weave
Contract Suitable As Is

With a retro appeal, our Chapman counter stool is both nostalgic and completely contemporary. The bohemian influence of 1970s avant-garde wicker inspired the macrame rope seat and woven back. Crafted of willow teak wood and synthetic rope, its cape-style back offers a decorative detail that will draw the eye from any corner of the room. Finish will vary.

APPEARANCE

Material	Rope, Wood
Material Type	Grade A Teak, Synthetic
Finish	Willow
Finish Will Vary	true
Top Coat/Sealant	false

DIMENSIONS

Arm	H: 36 IN, W: 2 IN, D: 11 IN
Foot Print	W: 20.5 IN, D: 18.5 IN
Seat Back	H: 11.5 IN, W: 14, D: 2
Seat	W: 20 IN, D: 16 IN
Seat Height	26.5 IN
Seat	W: 20 IN, D: 16 IN
Clearance	8"
Diagonal Dimension	41 IN

SHIPPING

Product Weight	18.7 LBS
Gross Weight 1	21 LBS
Shipping Box 1	H: 36.22 IN, L: 50.8 IN, W: 28.74 IN

ADDITIONAL INFO

Leg Or Foot Application	Non-Adjustable Glides
Swatch Number	WSPSW, WWSW

CONTRACT

Contract Suitable	true
-------------------	------